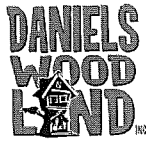


Original Tree House

Installation Manual





Preparing the Installation Site

Congratulations!

Congratulations and thank you for purchasing this **Original** or **Deluxe Original Tree House**. We know you and your family will enjoy it for years to come. In order to properly and safely install this tree house, there are some steps you must follow.

Installing a Concrete Pad

The entire installation site will need to be level and prepared with a small concrete pad prior to your tree house's arrival. If you ordered an Original, the size of the pad is typically 5' wide by 7' front to back, and 4" thick. If you ordered a Deluxe Original, the size of the pad is typically 6' wide by 8' front to back, and 4" thick. However, please consult with your sales associate to determine the appropriate pad size for your tree house. The concrete pad should have standard rebar reinforcement to prevent cracking and the top of the pad should be 1" above grade. If you have severe frost conditions, such as those in the Northeast, then concrete footers may need to be added extending below the frost line. In addition to pouring a small concrete pad you need to ensure that your site is accessible to heavy equipment by clearing obstructions, debris, and low hanging branches. If you can drive to the site with a pickup truck or SUV then the heavy equipment should have adequate accessibility.

Heavy Equipment Usage

Your tree house will need to be installed using a forklift or crane. Only qualified forklift or crane operators should operate heavy equipment. The use of heavy equipment on lawns may damage sprinkler heads and pipes so be sure to identify these to your installer. Wet lawns are more susceptible to damage so discontinue lawn watering a couple days before your installation. Plywood sheets can also be used to protect your lawn while using heavy equipment. If you have questions regarding the installation using a forklift or crane, please contact your sales associate.

Use the space provided below to keep track of important contact information.

Heavy Equipment Supplier: _____

Telephone #: _____

Installer Name: _____

Telephone #: _____



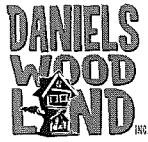
Delivery Day Details

Scheduling a Delivery Appointment

Once your tree house is ready, we will notify the freight broker and he/she will contact you to schedule a delivery appointment. Once a truck has received the load, the freight broker will confirm this appointment. You and your installer will need to be present when the truck arrives and heavy equipment will be required to unload the tree house. The transit time is typically 2 to 7 days depending on where you live. The freight broker will perform regular "on schedule checks" as your delivery makes its way to you. Should delays occur due to weather conditions or equipment malfunctions, you will be notified immediately and delivery will be rescheduled.

When the Load Arrives

When your tree house arrives the truck driver will hand you a bill of lading and a packing list. Please inspect the tree house and its components to verify that they were not damaged or lost while in transit. If damage or a loss has occurred, please make note on the bill of lading when you sign for the items. This information will be needed to file an insurance claim. Unload all items before installation begins.



Tools List

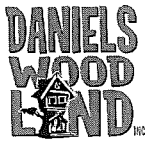
Here's a list of tools you'll need to install your new tree house. The hardware package specific to your project is included with your purchase.

Tools

- ◆ Chain – Dual Hook (20' or longer)
- ◆ Drill Bit (3/8"x12")
- ◆ Drill Bit (5/16"x12")
- ◆ Drill Bit (7/16")
- ◆ Drill Bit (Phillips)
- ◆ Forklift or Crane
- ◆ Grinder
- ◆ Hammer Drill
- ◆ Impact Wrench
- ◆ Lubricating Oil
- ◆ Masonry Drill Bit (7/16")
- ◆ Socket (9/16")
- ◆ Socket (3/4")
- ◆ Standard Drill

Production Model View





Moving & Setting the Log

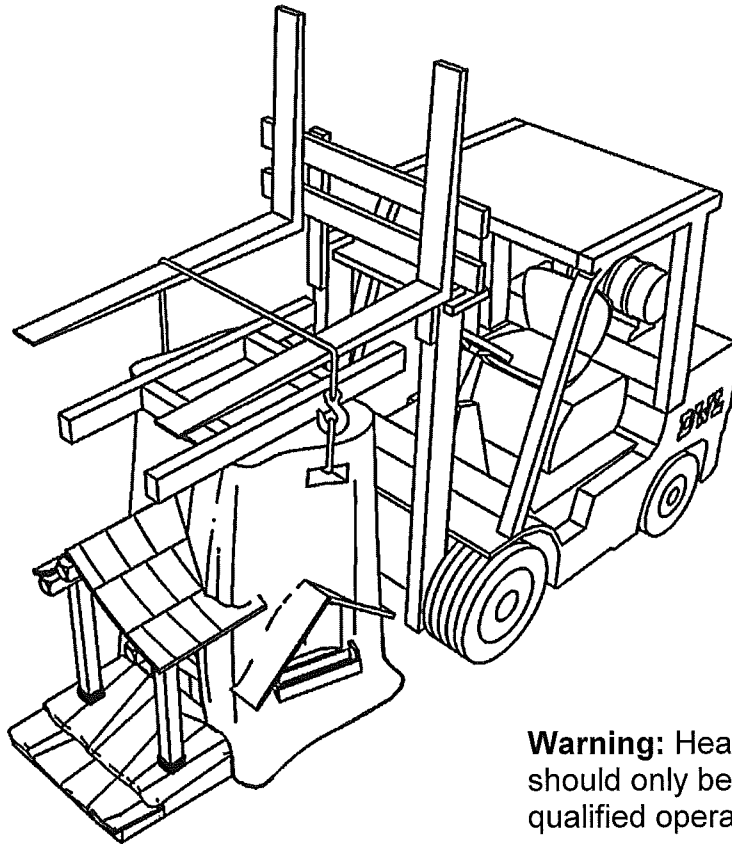
These instructions will guide you through the steps needed to move and set the log onto the concrete pad.

Items Needed

- ◆Chain – Dual Hook (20' or longer)
- ◆Forklift or Crane

Moving the Log

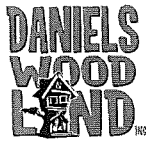
Rig the log for lifting with a forklift or crane using a dual hook logging chain. The diagram below demonstrates how to rig the forklift. When rigging the log be sure to set the forks to the same width of the H frame to prevent damaging it. If rigging a crane, please contact Daniels Wood Land.



Warning: Heavy equipment should only be operated by qualified operators.

Setting the Log

Set the log into place according to the site plan. Ensure that people are clear before setting it down. Do not set the log down porch side first as it may become damaged due to the weight.



Moving, Setting & Securing the Clubhouse

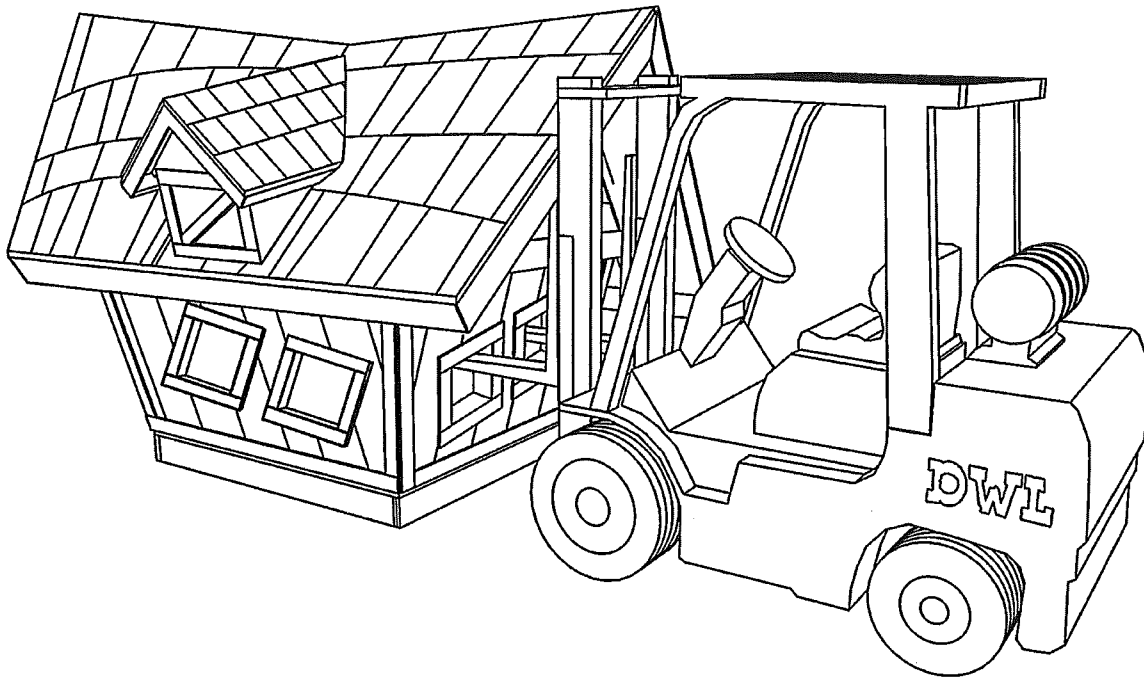
These instructions will guide you through the steps needed to move, set and secure the clubhouse onto the log.

Items Needed

- ◆ 4 – Lag (8")
- ◆ Drill Bit (5/16"x12")
- ◆ Forklift or Crane
- ◆ Impact Wrench
- ◆ Lubricating Oil
- ◆ Socket (9/16")
- ◆ Standard Drill

Moving the Clubhouse

Insert the forklift through the front windows as shown in the diagram below. The forks should be at least 6' long.



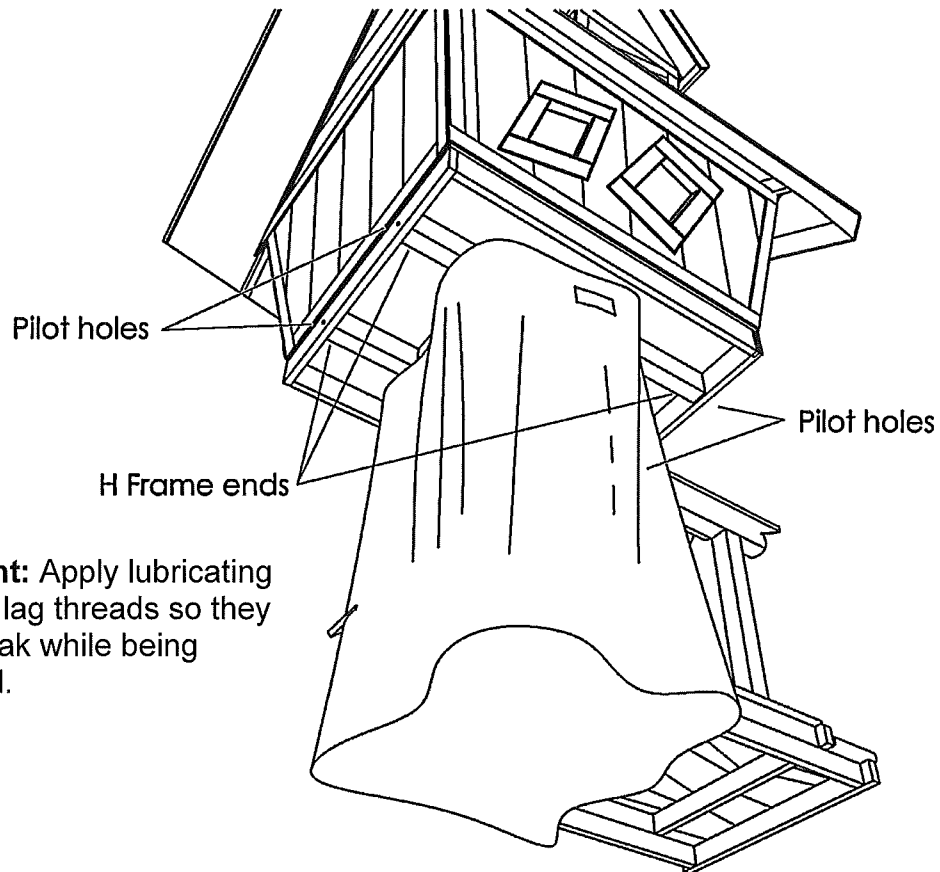
Once lifted off the truck, remove and discard the shipping blocks from underneath the clubhouse. Installation beams are already attached to simplify the moving process easier. Once the installation is completed remove and discard these beams.

Setting the Clubhouse

Carefully drive to the log, keeping the clubhouse as level and low to the ground as possible. Once at the base of the log slowly lift the clubhouse and set it on the H frame attached. Once resting on the H frame check the clubhouse for level.

Securing the Clubhouse

Drill one pilot hole through the base of the clubhouse into each H frame using a standard drill with a 5/16"x12" drill bit.



Important: Apply lubricating oil to the lag threads so they don't break while being tightened.

Drive four 8" lags, one into each pilot hole, using an impact wrench with a 9/16" socket.



Securing the Log

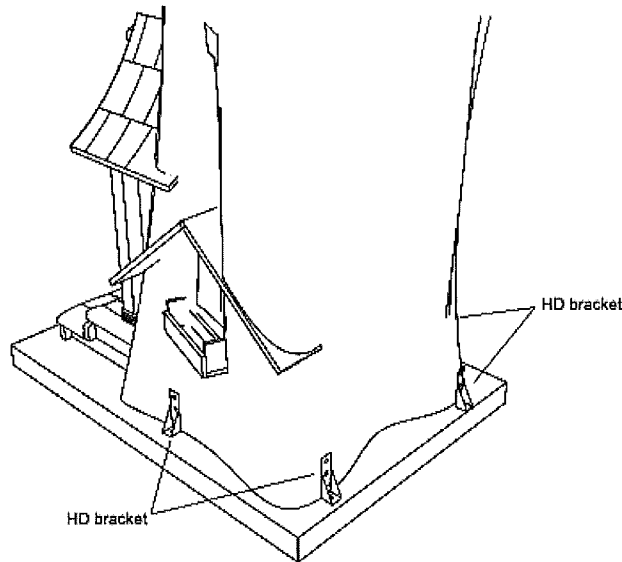
These instructions will guide you through the steps needed to secure the log onto the concrete pad.

Items Needed

- ◆ 3 – Concrete Anchor
- ◆ 3 – HD Bracket
- ◆ 6 – Lag (4")
- ◆ Drill Bit (7/16")
- ◆ Hammer Drill
- ◆ Impact Wrench
- ◆ Lubricating Oil
- ◆ Masonry Drill Bit (7/16")
- ◆ Socket (3/4")
- ◆ Standard Drill

Securing the Log

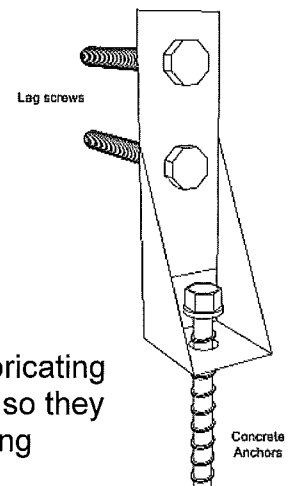
Place three HD brackets evenly spaced around the log. The HD brackets should only be attached to the log and not to the porch.



Drill pilot holes into the log and concrete pad which are aligned with the HD brackets. Use a standard drill with a 7/16" drill bit for the log pilot holes and a hammer drill with a 7/16" masonry bit for the concrete pilot holes.

Drive six 4" lags, two in each HD bracket, into the log. Now drive three concrete anchors, one in each HD bracket, into the concrete pad. Use an impact wrench with a 3/4" socket to drive in the lags and concrete anchors.

Important: Apply lubricating oil to the lag threads so they don't break while being tightened.





Attaching the Swing

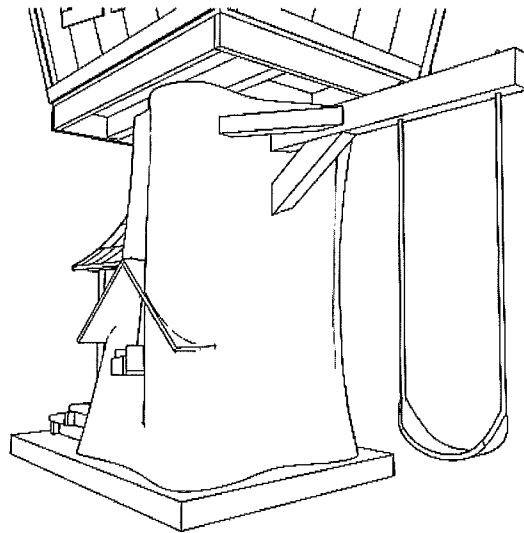
These instructions will guide you through the steps needed to attach the swing.

Items Needed

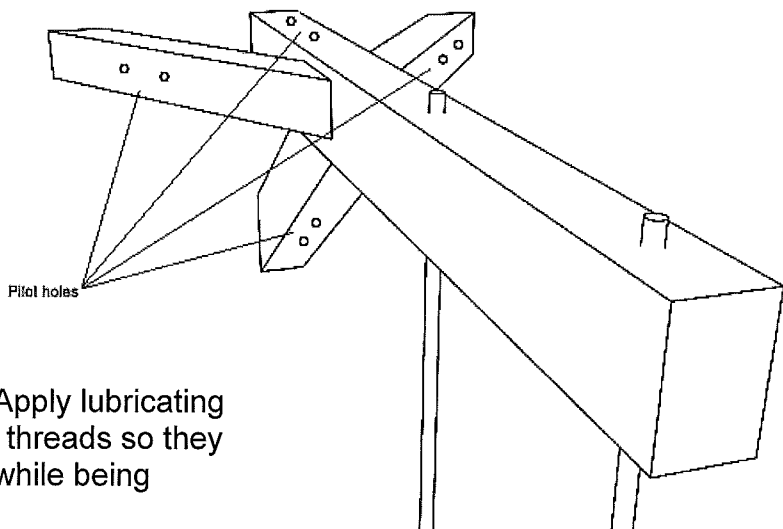
- ◆ 8 – Lag (8")
- ◆ Impact Wrench
- ◆ Lubricating Oil
- ◆ Socket (9/16")

Attaching the Swing

Insert the swing beam into the openings prepared.



Drive eight 8" lags, one into each pilot hole, using an impact wrench with a 9/16" socket.



Important: Apply lubricating oil to the lag threads so they don't break while being tightened.



Final Details

These final instructions will make your tree house safer, unique, and more enjoyable.

Rust Package (optional)

Inside the clubhouse is a metal bucket with two lanterns and two railroad spikes. Lightly hammer the spikes into the pre-drilled holes in the log porch beams and hang the lanterns. The bucket should be hung from one end of the rain gutter. To install the smokestack, bend the tabs out at the base of the stack and secure it to the roof using a few screws. Stretch the wires out and away from the stack and wrap them around another screw attached to the roof. Be sure the smokestack is kept out of reach of children.

Touch-up

Occasionally, a clubhouse may receive minor cosmetic damages during the shipping or unloading process. Provided in the hardware package are cans of touch-up paint and/or stain. With some simple sanding and painting, these blemishes will be removed and your tree house will be restored to showroom quality.

Safety Inspection/Playground Rules

Carefully inspect the tree house and all of its components before you allow your children to play on the structure. Look for protruding screws or bolts which could scratch your child and use a grinder to file these down. Ground cover can be one of the most important safety measures installed around your new tree house. We recommend installing a "fall rated" material on the ground with a 6' buffer zone around the entire structure. Check with the manufacturer of the ground material for the appropriate installation depth. The most common materials include engineered wood chips, recycled rubber crumbles, and recycled rubber simulated wood chips. Your final installation should not leave any exposed concrete. Finally, establish safe playing guidelines with your children to protect them from injury.

Artistic Touches

Add artistic touches to make your tree house truly unique. Decorating the inside and outside is a great family activity that everyone will enjoy. Daniels Wood Land also offers a wide variety of fun accents. Contact your sales associate or visit www.danielswoodland.com for more information.